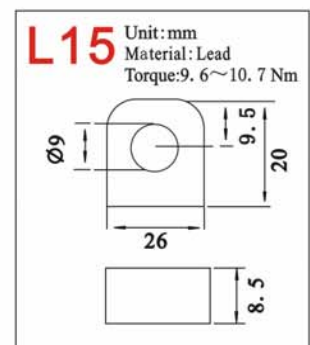
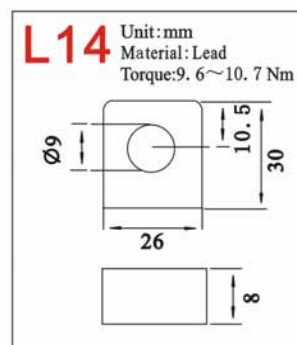
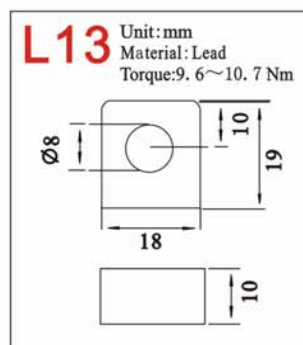
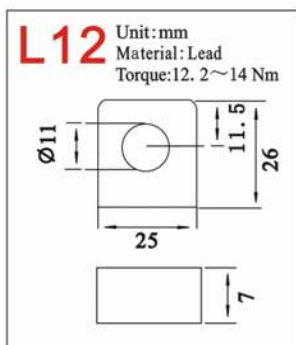
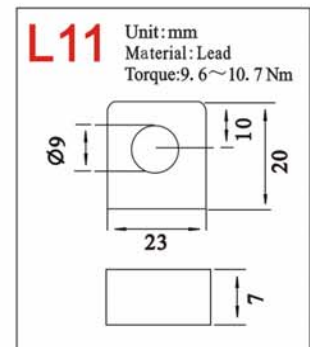
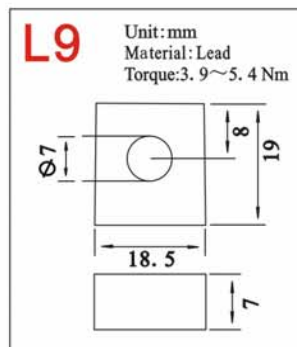
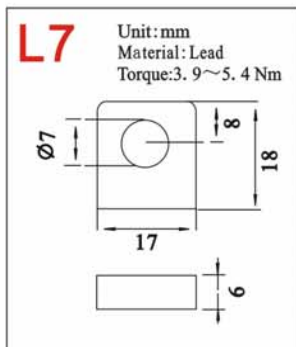
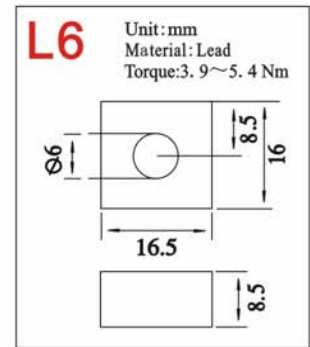
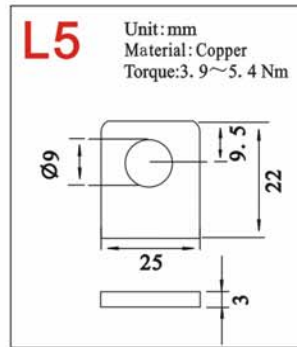
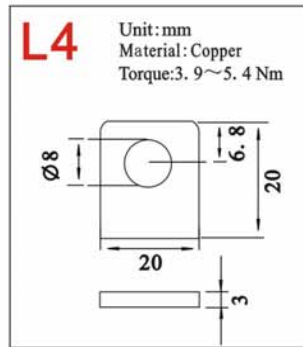
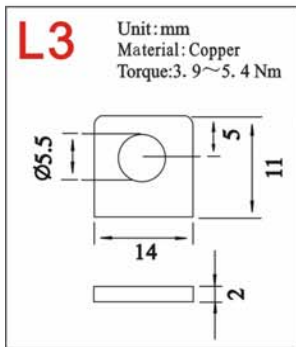
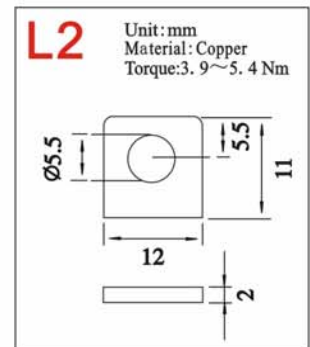
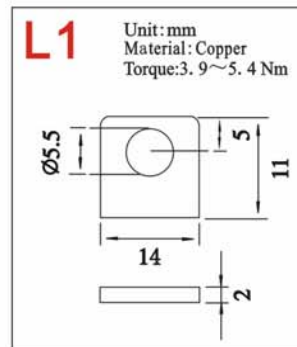
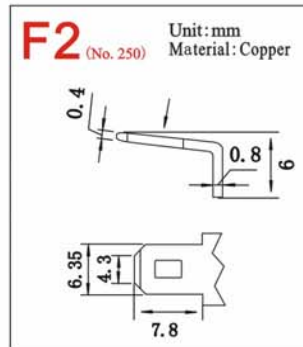
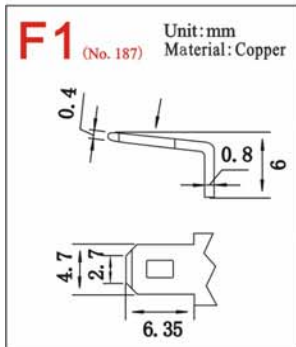


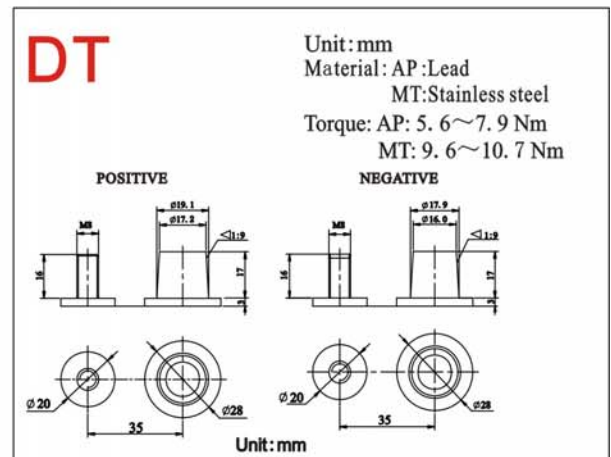
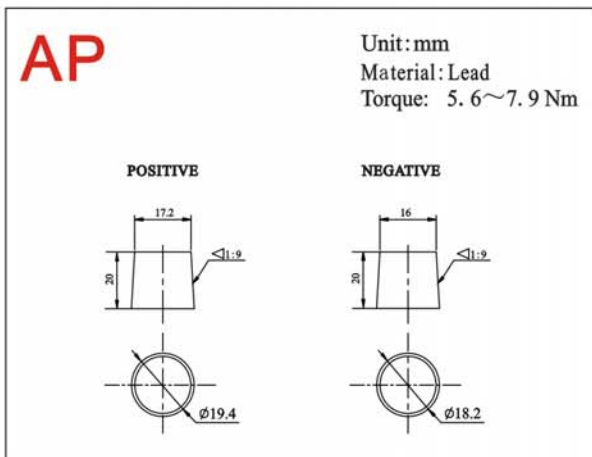
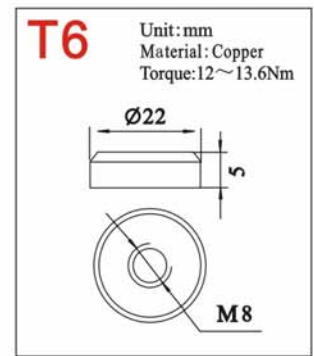
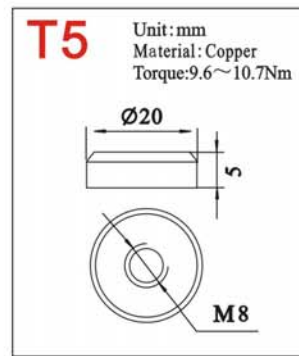
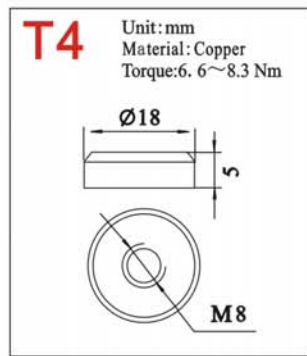
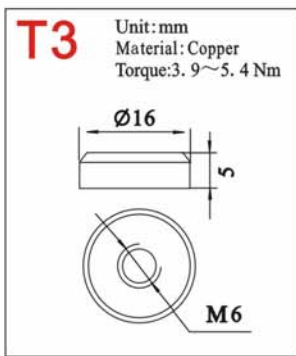
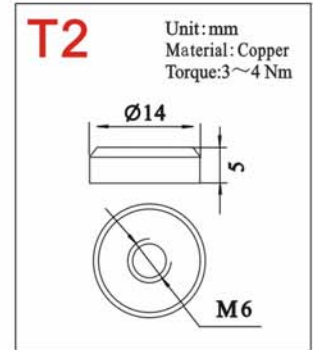
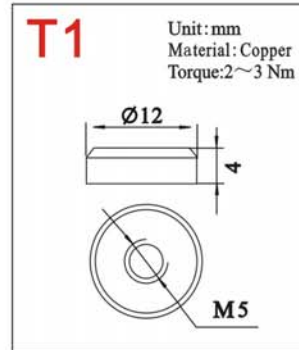
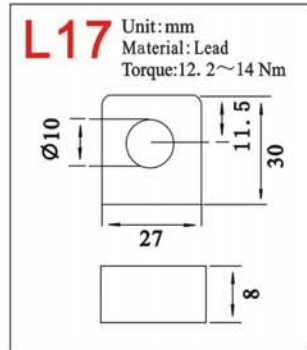
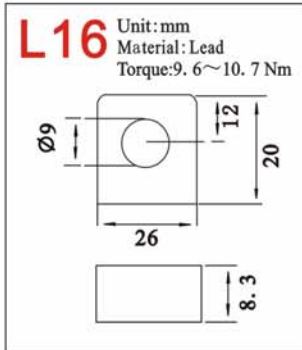


## TERMINALS

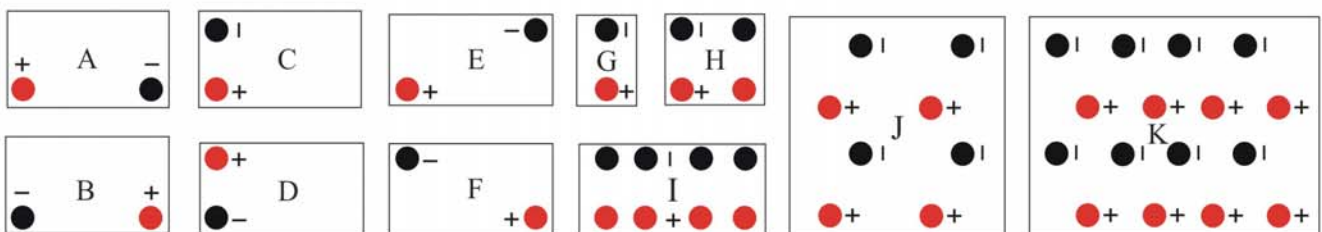




## TERMINALS

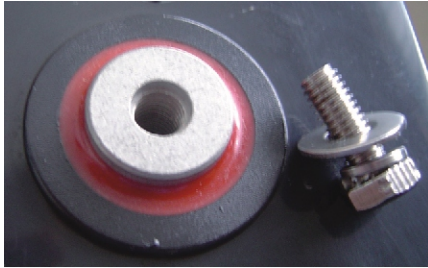


## POSITION OF TERMINALS

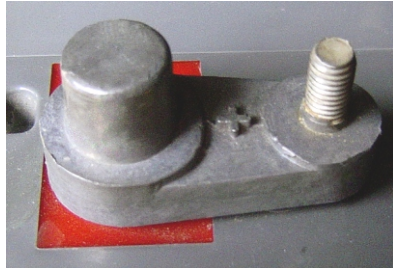




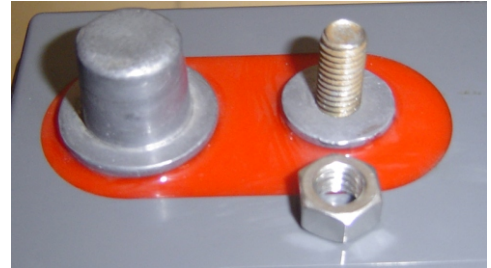
## Terminal Photos



**M5、 M6 、 M8 or M10**  
(Button Terminal)



**APW**  
(Marine Dual Terminal)



**DT**  
(AP and Stud Terminal)



**M6M 、 M8M、 M10M**  
(Male Stud Terminal)



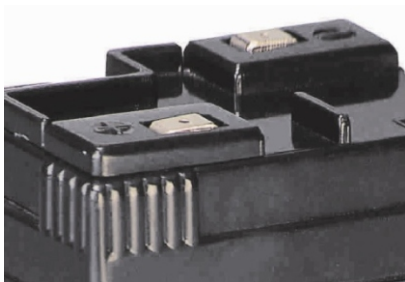
**L**  
(“L” Terminal)



**AP**  
(Automotive Post)



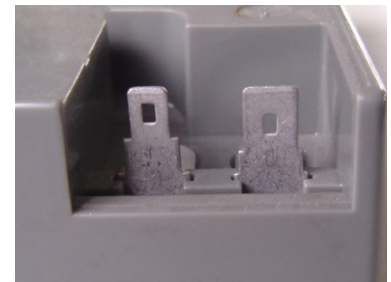
**F2 or F1**  
(Fasten Tab 250&187)



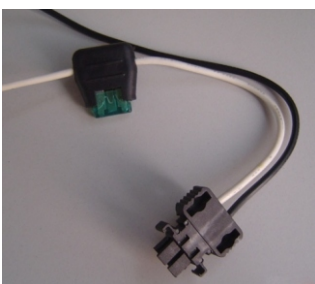
**RB**



**TS**



**PL**



**TH**



**CQ**



**C01**



**S01**